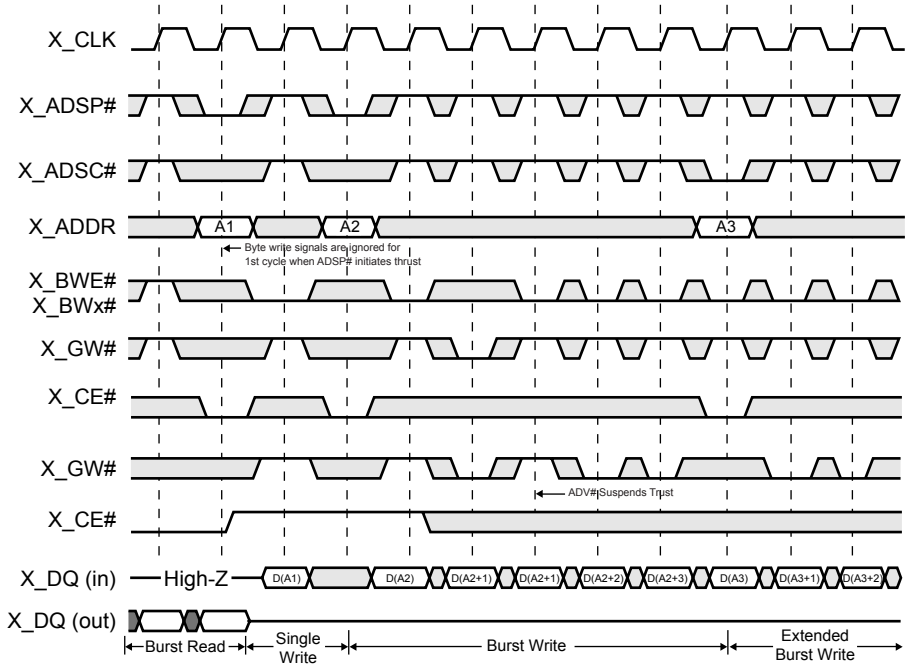
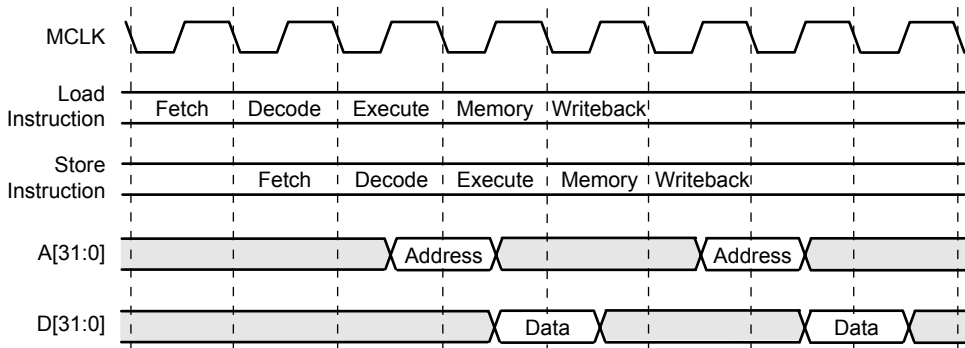


Examples of Timing Diagrams

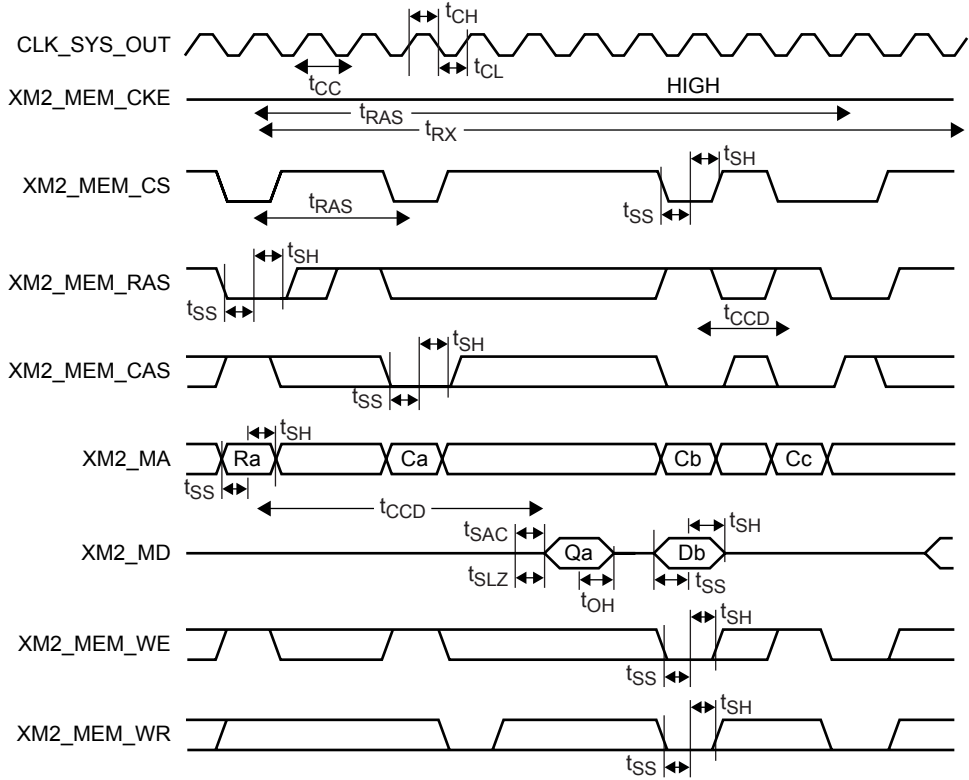


502-020.eps

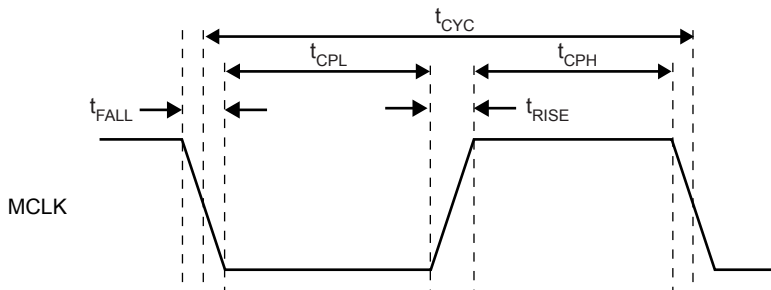


493-308.eps

Examples of Timing Diagrams



517-123.eps



493-311.eps