



Key:



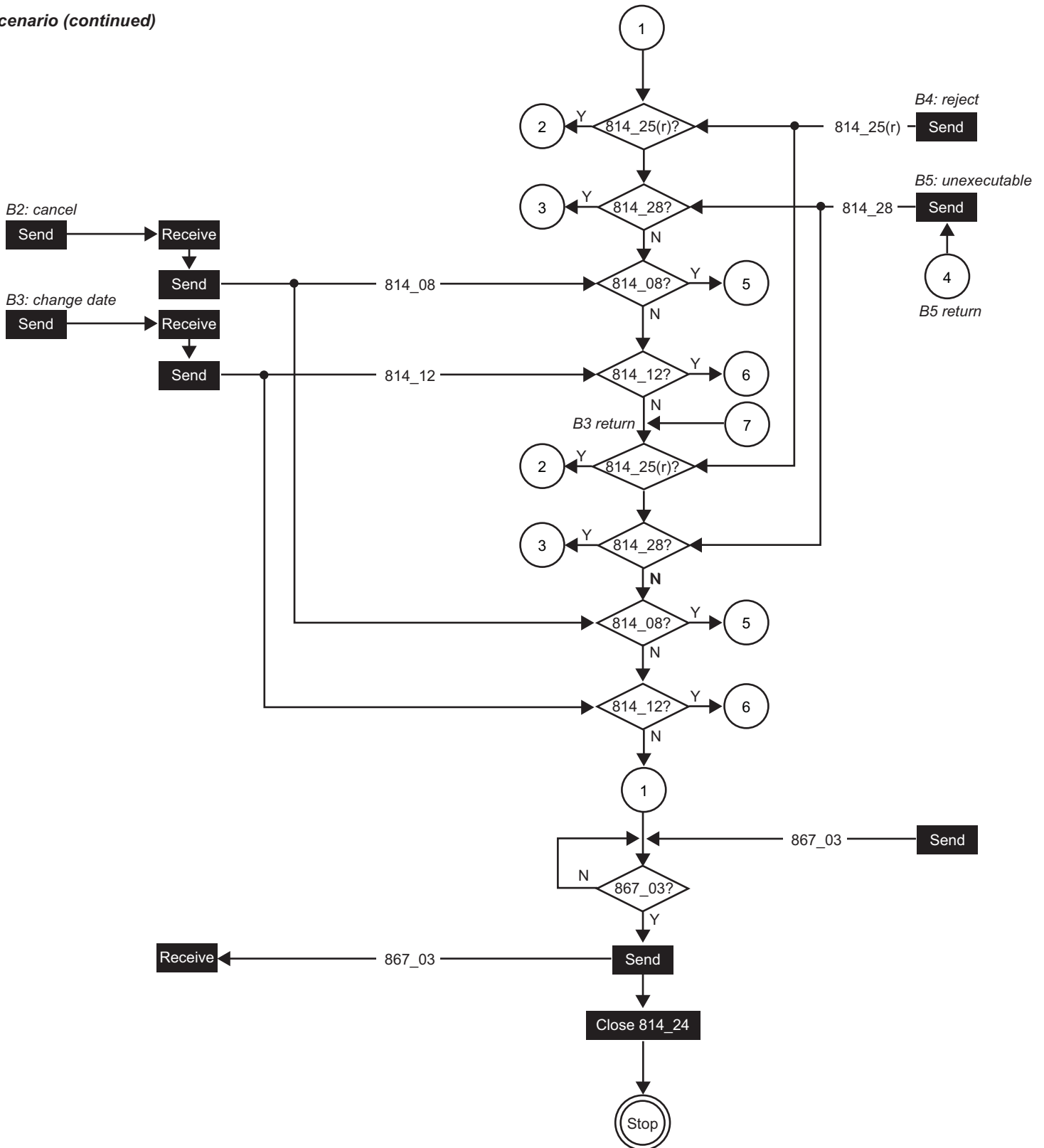
814\_25(a) Acceptance response

814\_25(r) Rejection response

? Undefined transition

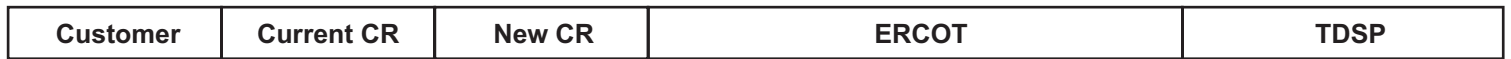
Customer	Current CR	New CR	ERCOT	TDSP
----------	------------	--------	-------	------

B1 scenario (continued)

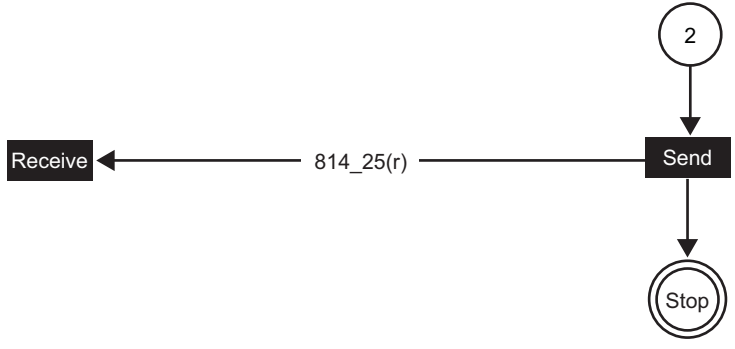




Key: 814\_24? Has transaction 814\_24 arrived?      814\_25(a) Acceptance response      814\_25(r) Rejection response      ? Undefined transition



**B4 scenario:**  
*TDSP reject*



**B5 scenario:**  
*unexecutable*

